

DRIFTON

THE SCIENCE OF DISPENSING

Drifton Pressure Tank

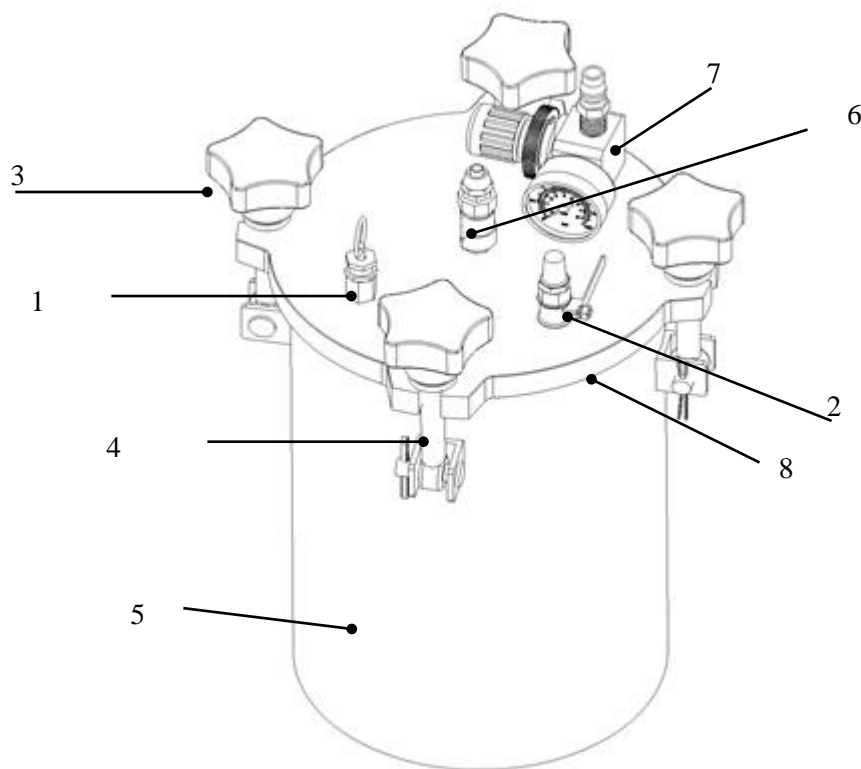
Fluid reservoir tank with CE and ROSH



Features

1. The pressure tanks/reservoirs for dispensing from Drifton maintain a stable fluid pressure and prevent contamination and evaporation of the liquids and fumes.
2. The pressure tanks are made of stainless steel which do not easily deform and can withstand harsh chemical reactions.
3. The pressure tanks are equipped with a safety valve for automatic pressure relief.
4. The anodized aluminum cap on the pressure tank can be completely removed so the package with dispensing material can be placed directly into the tank. This makes the maintenance of the pressure tank very easy since there is less need for cleaning.

Drawing and description



- (1) Safety valve (2) Exhaust valve (3) Handle (4) Bar
(5) Body (6) Glue output (7) Pressure regulator (8) Cap

Note

1. The pressure capacity is up to 5 Bar. If the pressure exceeds this pressure range, it may lead to an explosion. The air pressure acts on the glue directly and the glue will be pushed into the valve through the adapter. The air pressure can be adjusted with the pressure regulator. When turning the regulator clockwise, the air pressure will increase; when turning the regulator counterclockwise, the air pressure will decrease. If the pressure in the tank is beyond the safety-line, the safety valve will relieve the pressure automatically.
2. Don't adjust the safety valve, because when the safe pressure range is exceeded there is no insurance to release the pressure.
3. The glue can be put directly into the barrel still in the original packaging and run out without any need for cleaning, this makes maintenance easy.
4. If you don't use the material in the original packaging, then you need to clean the tank when the machine finishes working.

Instructions

1. Place the whole package with the material in the tank or put the material into another container, which can be placed inside the pressure tank.
2. Place the tube that is attached to the inside of the tank cap into the liquid material until it touches the bottom.
3. Place the cap onto the pressure tank and make sure it is perfectly sealed.
4. Place all the knobs in the grooves of the tank cap, putting the washers under the knobs but above the cap.
5. Tighten all of the knobs symmetrically with two hands at a time, until all the knobs are well fixed and perfectly tight.
6. Use a glue tube to connect the nozzle (glue output) on the tank and the valve.
7. When you shut off the exhaust valve, then you're connected to the gas source.
8. Adjust the air pressure. (Pull out the rotating valve knob and turn left for small transfers and right for large transfers)

How to add liquid material

1. Remove the air tube from the tank.
2. Open the exhaust valve.
3. Be sure there isn't any pressure in the tank.
4. Unscrew the handles. Loosen each knob separately (don't open it fully, just loosen it). Place the knobs along the sides.
5. Remove the cap and add the liquid material.

Maintenance

1. Protect the cap from the glue and replace the seal ring on the cap periodically.
2. Clean the adhesive left in the tank and in the tube, when you're done using it.
3. Replace the tube regularly to avoid corrosion caused by the glue, which may cause it to burst.