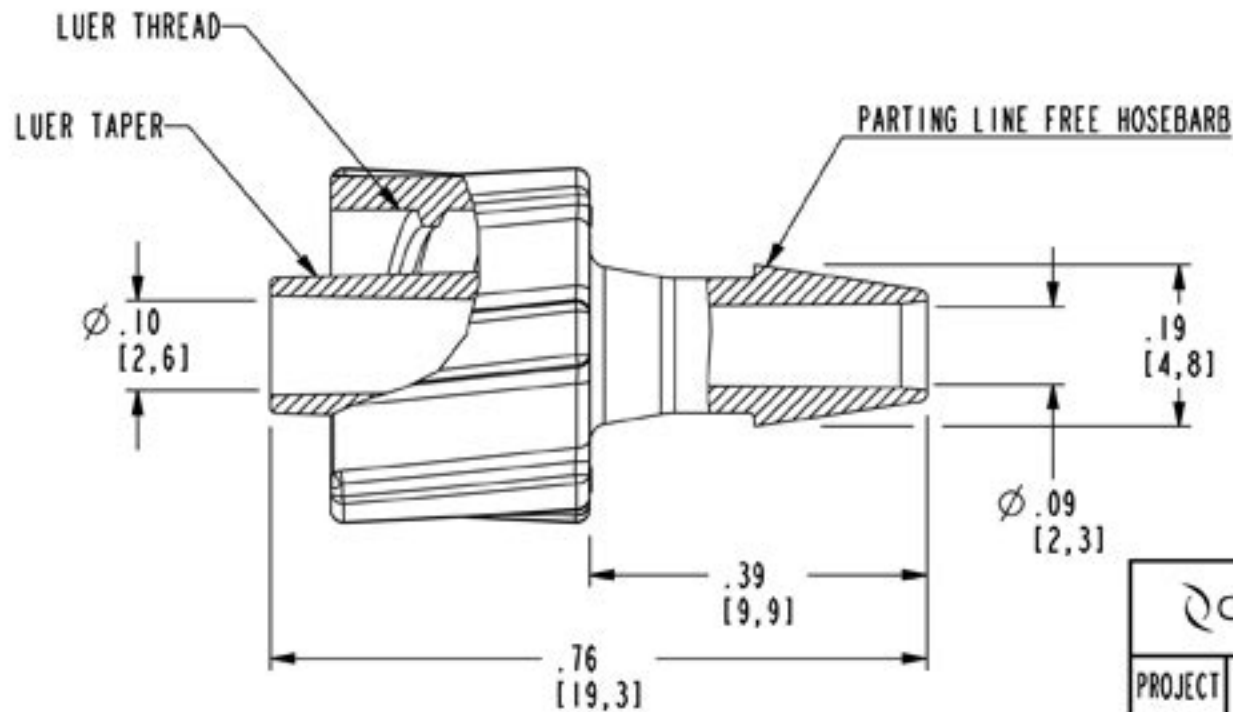


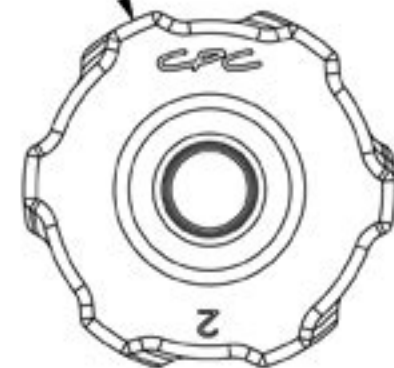
DWG NO: LM41-CUST

NOTES:

1 MATERIAL: POLYPROPYLENE  
FDA 21 CFR 177.1500  
RoHS COMPLIANT  
ANIMAL FREE  
USP CLASS VI  
COLOR: NATURAL



$\phi .43$   
[10,9]



CPC 1 800 444 2474 cpcworldwide.com

PROJECT 1/8 HB MALE LUER INTEGRAL LOCK RING  
7362 (CUSTOMER DRAWING)

DWG BY: KRN DATE: 06-30-09 CHKD BY:

MATL/FIN: SEE NOTE 1 DWG NO: LM41-CUST