

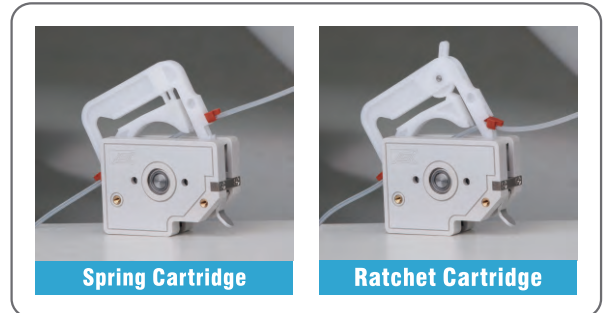
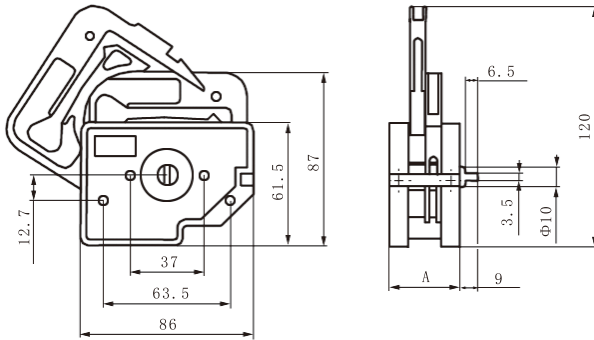
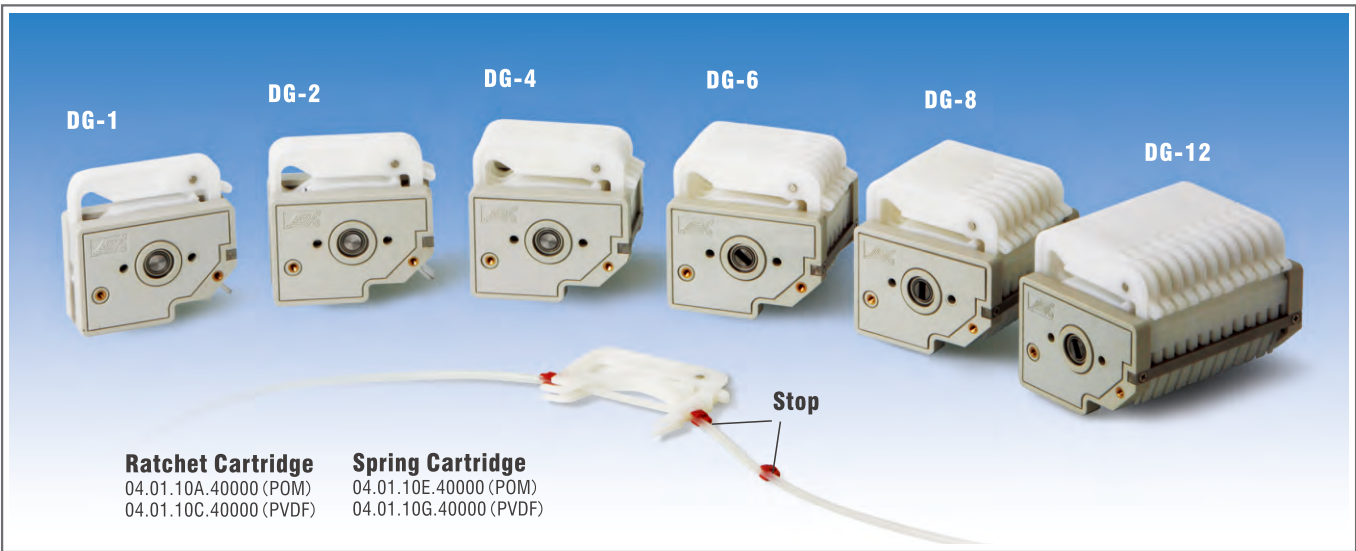
Multi-channel small flow Pump Head

Max. Flow Rate



DG Series

PUMP HEADS



Discrete cartridge, special tubing sets, trigger structure of DG-1&DG-2.

Spring cartridge can adjust the occlusion automatically to accept several different tubing wall thicknesses.

Ratchet cartridge can adjust the occlusion by adjusting ratchet position to accept several different tubing wall thicknesses.

Model	Roller Number	Product Code	Cartridge Type	Roller Material	Cartridge Material	Channel Number	Speed (rpm)	Tubing	Max. Flow Rate (mL/min)	Weight (kg)
DG-1-A/C	6	05.01.10A/C	Ratchet	Stainless Steel	DG--A/B cartridge material is POM 04.01.10A.40000	1	≤ 100	ID ≤ 3.17 mm Wall Thickness 0.8mm-1.0mm	48 (Single Channel)	0.20
DG-1-B/D	10	05.01.10B/D	Ratchet						32 (Single Channel)	0.21
DG-1-E/G	6	05.01.10E/G	Spring						48 (Single Channel)	0.20
DG-1-F/H	10	05.01.10F/H	Spring						32 (Single Channel)	0.21
DG-2-A/C	6	05.01.11A/C	Ratchet			2			48 (Single Channel)	0.26
DG-2-B/D	10	05.01.11B/D	Ratchet						32 (Single Channel)	0.27
DG-2-E/G	6	05.01.11E/G	Spring						48 (Single Channel)	0.26
DG-2-F/H	10	05.01.11F/H	Spring						32 (Single Channel)	0.27
DG-4-A/C	6	05.01.12A/C	Ratchet			4			48 (Single Channel)	0.39
DG-4-B/D	10	05.01.12B/D	Ratchet						32 (Single Channel)	0.40
DG-4-E/G	6	05.01.12E/G	Spring						48 (Single Channel)	0.39
DG-4-F/H	10	05.01.12F/H	Spring						32 (Single Channel)	0.40
DG-6-A/C	6	05.01.13A/C	Ratchet			6			48 (Single Channel)	0.51
DG-6-B/D	10	05.01.13B/D	Ratchet						32 (Single Channel)	0.54
DG-6-E/G	6	05.01.13E/G	Spring						48 (Single Channel)	0.51
DG-6-F/H	10	05.01.13F/H	Spring						32 (Single Channel)	0.54
DG-8-A/C	6	05.01.14A/C	Ratchet			8			48 (Single Channel)	0.63
DG-8-B/D	10	05.01.14B/D	Ratchet						32 (Single Channel)	0.67
DG-8-E/G	6	05.01.14E/G	Spring						48 (Single Channel)	0.63
DG-8-F/H	10	05.01.14F/H	Spring						32 (Single Channel)	0.67
DG-12-A/C	6	05.01.15A/C	Ratchet			12			48 (Single Channel)	0.88
DG-12-B/D	10	05.01.15B/D	Ratchet						32 (Single Channel)	0.95
DG-12-E/G	6	05.01.15E/G	Spring						48 (Single Channel)	0.88
DG-12-F/H	10	05.01.15F/H	Spring						32 (Single Channel)	0.95