

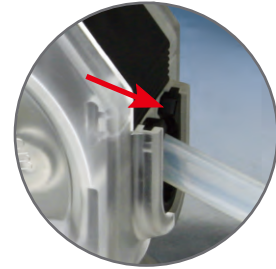
Quick-load Pump Head

Max. Flow Rate



KZ25

PUMP HEADS



For continuous tubing

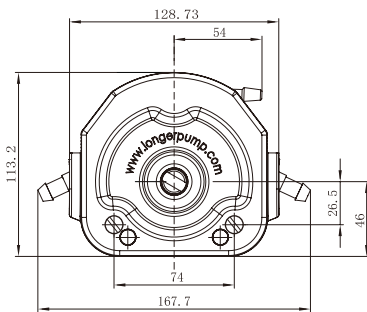
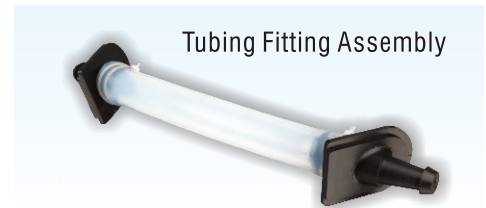


For tubing with fittings

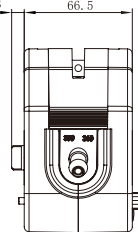
Big flow rate up to 6000 mL/min, easy to load tubing with separated structure.

Two tubing retention modes

- Continuous tubing
- Tubing with fittings

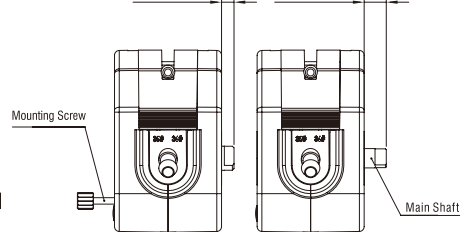


Short Shaft $\varnothing 15 \times 8.25$
Long Shaft $\varnothing 12 \times 12.3$



Short Shaft $\varnothing 15 \times 8.25$
For stack

Long Shaft $\varnothing 12 \times 13.75$
Connect to the drive



Model	Shaft	Product Code	Roller Number	Roller Material	Compression Block Material	Speed (rpm)	Tubing	Max. Flow Rate (mL/min)	Weight (kg)
KZ25-13-A	Long	05.01.25A	3	Stainless Steel	PPS	≤ 600	15" 24" 35" 36"	6000	0.79
KZ25-13-B	Short	05.01.25B							