

## Easy Load Pump Head

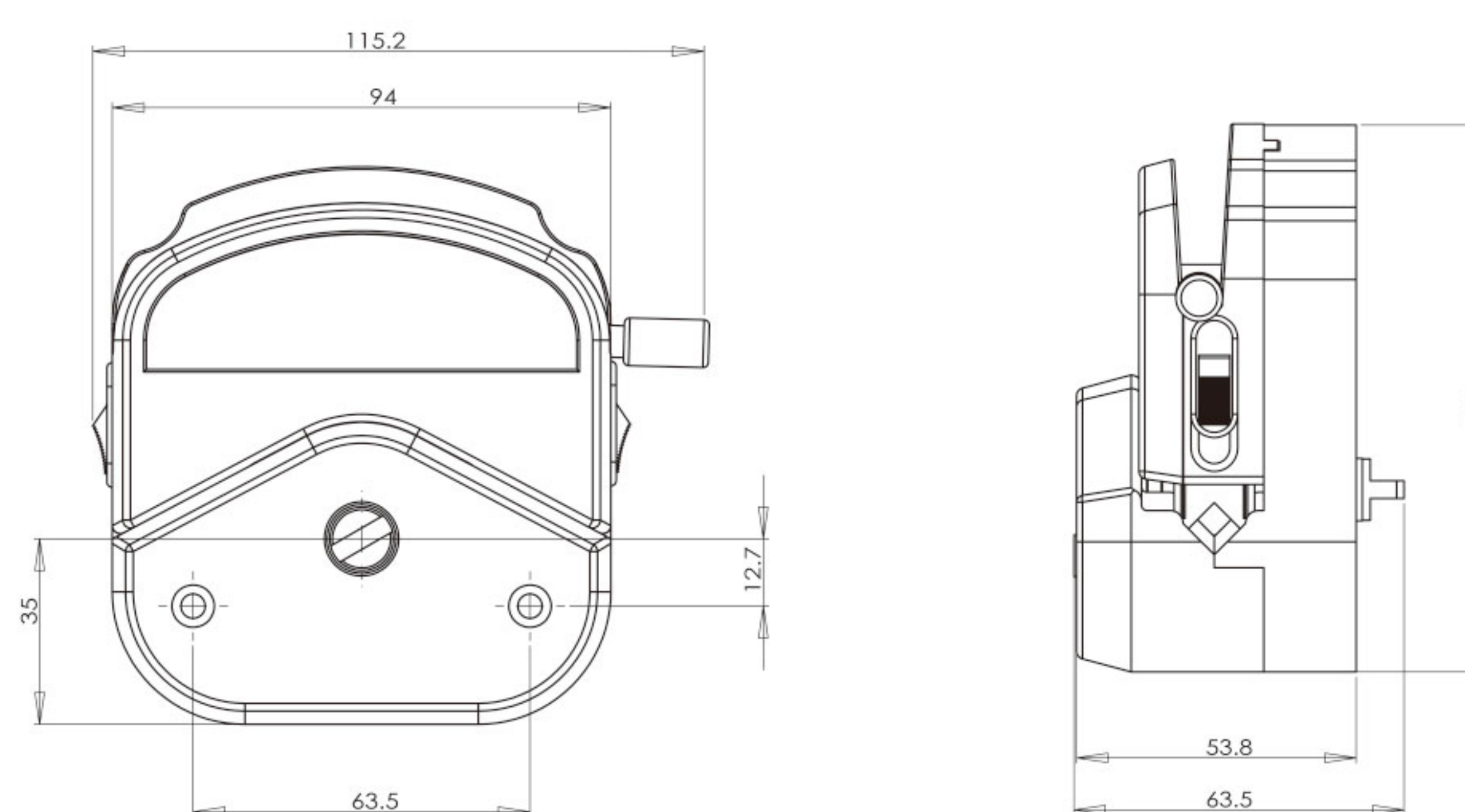
### YZ1515x, YZ2515x



### Product Introduction

Change the tubing easily and rapidly; automatic tubing retention; accept 9 sizes tubing to meet different flow rates requests. Two kinds of material housing for customers' selection. PSF (polysulphone material): white, exquisite appearance, good rigidity, high precision, usually used in research laboratory and supporting analytical device. PPS (polyphenylene sulfide material): black, resist organic solvent corrosion, high precision and rigidity, suitable for industry or other bad working conditions. Rollers assembly with 304 stainless steel material resists corrosion with long lifetime.

### Dimension Drawing (Unit: mm)



Mounting several pump heads can increase the flow rates.



YZ Series pump head has wide application, and is usually used together with many kinds of analytical instruments. According to the different technical requests, it can adopt different motors to drive, such as stepper motor, DC motor, synchronous motor, AC gear motor, etc. Stack up several pump heads can increase the flow rates.

**Model Number** | YZ1515x, YZ2515x

### Typical Application

- | Support COD on-line monitor.
- | Support anorectal therapeutic instrument.
- | Support biofermentation cylinder.



3 rollers

6 rollers

Pump Head	Tubing	ID×Wall thickness(mm)	mL / r	Flow Rate(mL/min) (0.1~600rpm)	Tubing Max. Pressure(Mpa)		Material/Weight(kg)	
					Intermittent	Continuous	PSF	PPS
YZ1515x	13#	0.8×1.6	0.07	0.007~42	0.27	0.17	0.40 (3 rollers)	0.46 (3 rollers)
	14#	1.6×1.6	0.27	0.027~162				
	19#	2.4×1.6	0.55	0.055~330				
	16#	3.1×1.6	0.82	0.082~492	0.24	0.14	0.44 (6 rollers)	0.50 (6 rollers)
	25#	4.8×1.6	1.7	0.17~1020				
	17#	6.4×1.6	2.9	0.29~1740				
YZ2515x	18#	7.9×1.6	3.8	0.38~2280	0.10	0.07	0.40 (3 rollers)	0.46 (3 rollers)
	15#	4.8×2.4	1.7	0.17~1020	0.27	0.17		
	24#	6.4×2.4	2.9	0.29~1740				

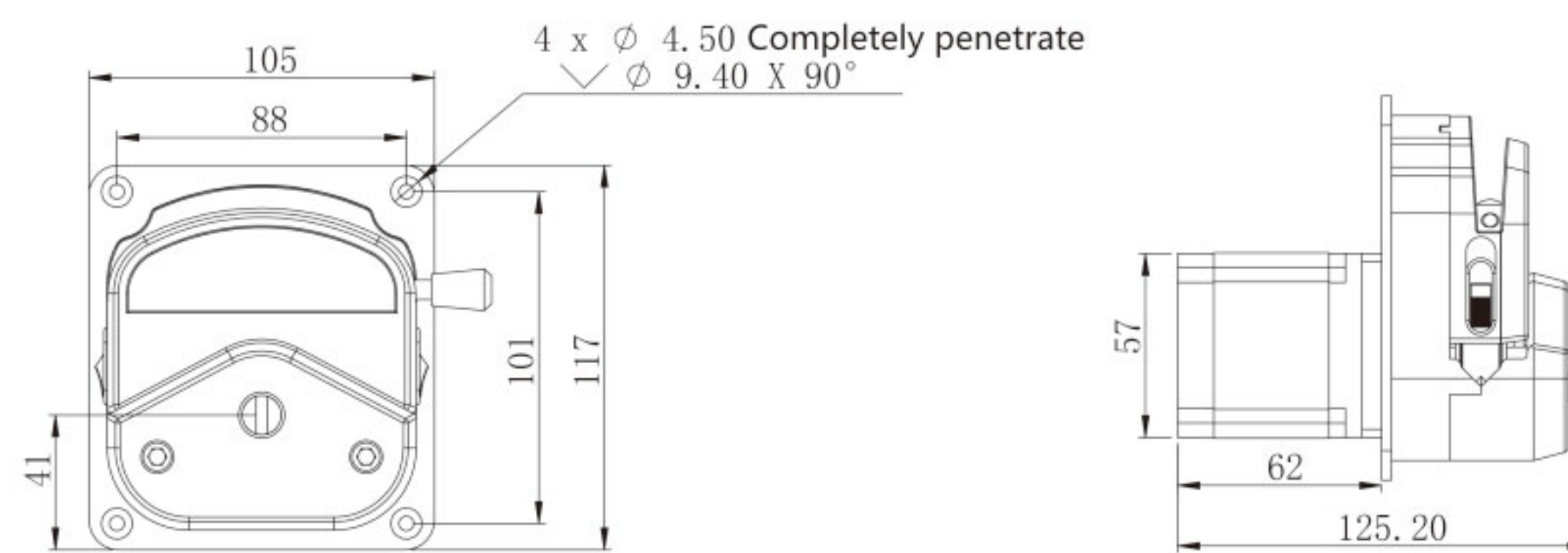


# OEM Product

## Easy Load Pump Head YZ1515x YZ2515x

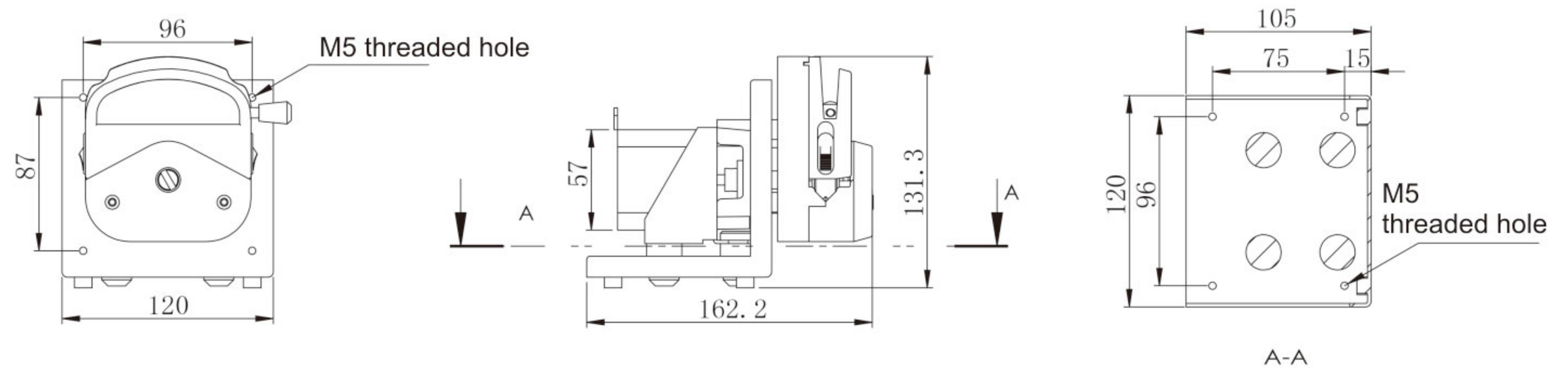
### OEM-B130/YZ

Dimension Drawing(Unit: mm)



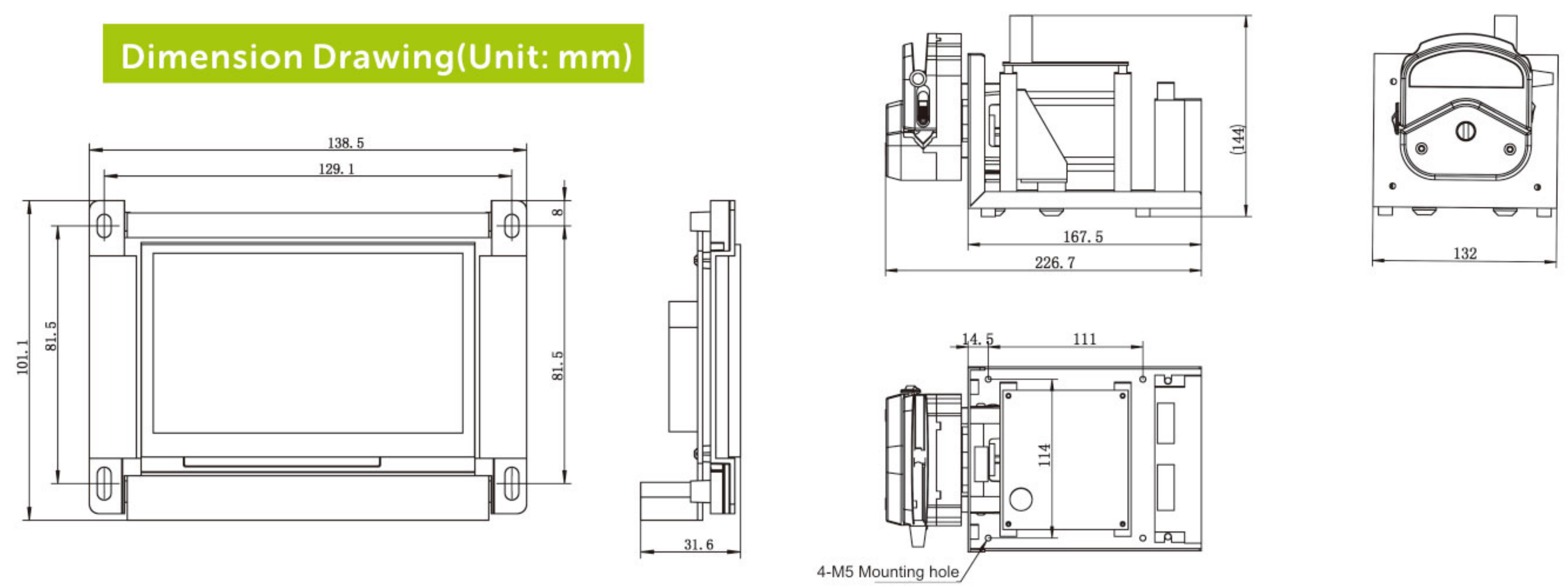
### OEM-B19/YZ

Dimension Drawing(Unit: mm)



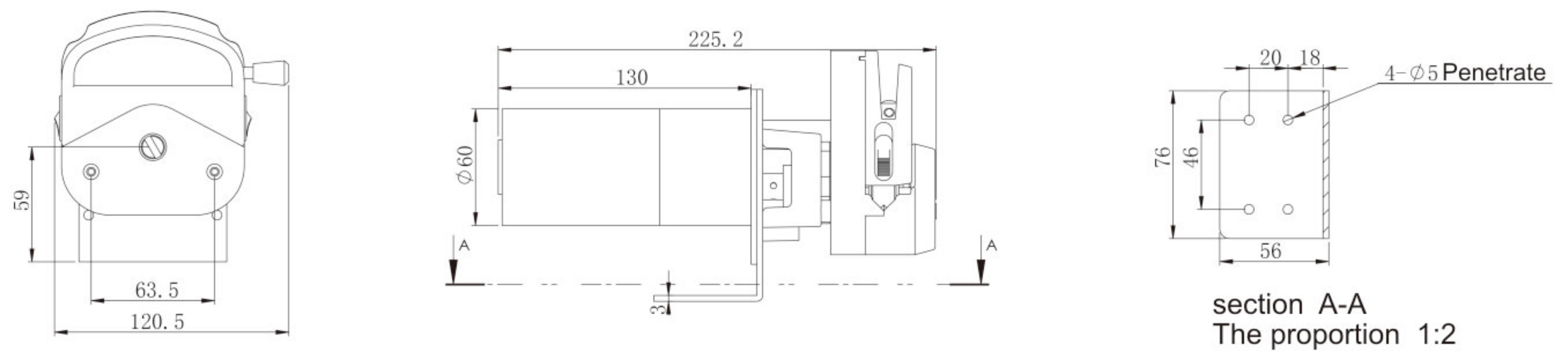
### OEM-B242/B243/B244/YZ

Dimension Drawing(Unit: mm)



### OEM-Z109/YZ ( DC motor )

Dimension Drawing(Unit: mm)



section A-A  
The proportion 1:2

### OEM-JT03/YZ ( AC motor )

Dimension Drawing(Unit: mm)

